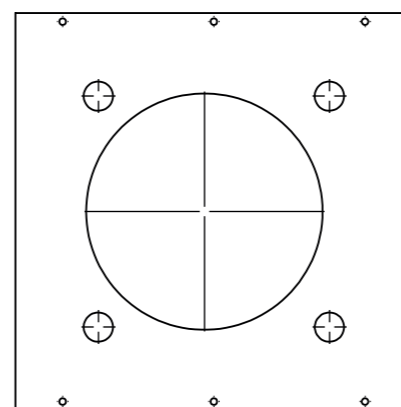
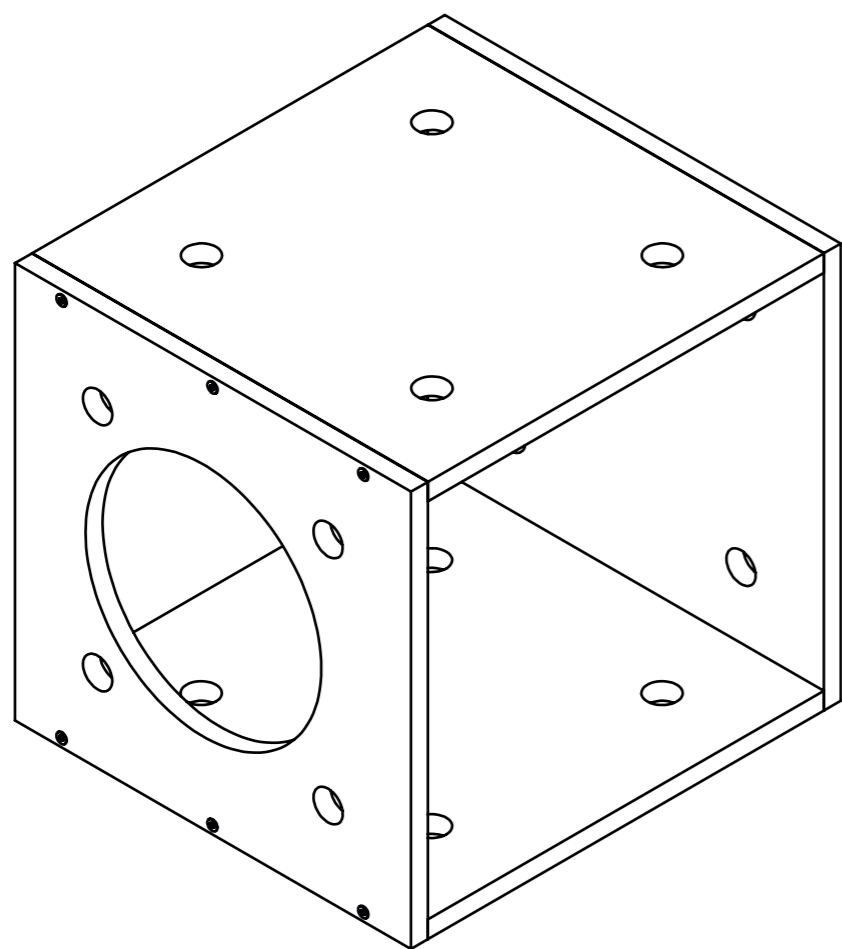


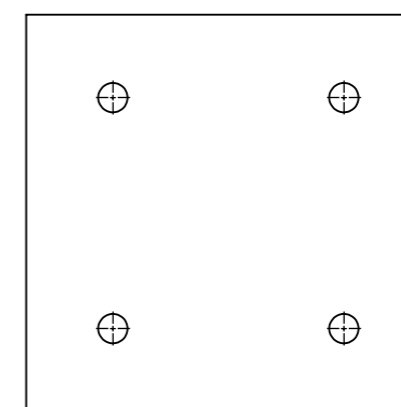
Cube with closed sides and holes

900000539

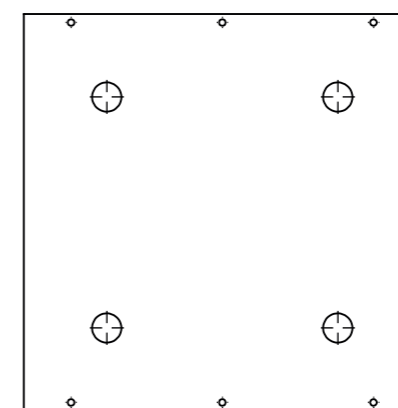
Let op: bestudeer deze bouwhandleiding zorgvuldig vóór montage. Montage alleen door volwassenen.SVP deze informatie bewaren ter referentie.
NOTE: Please read instructions before starting to assemble. Adult assembly required. Please retain this information for reference.
警告：产品需要成人组装



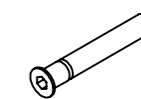
1x



2x



1x

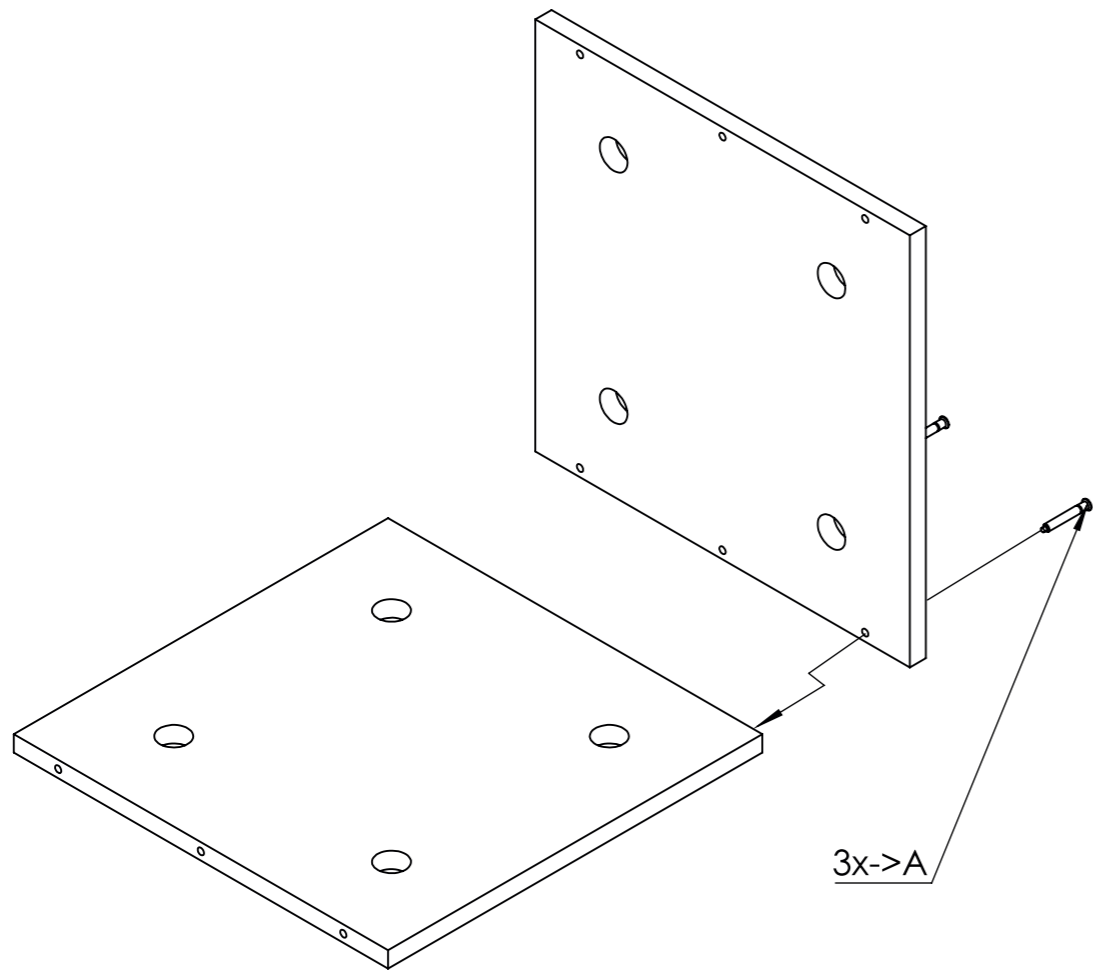


A : 12x

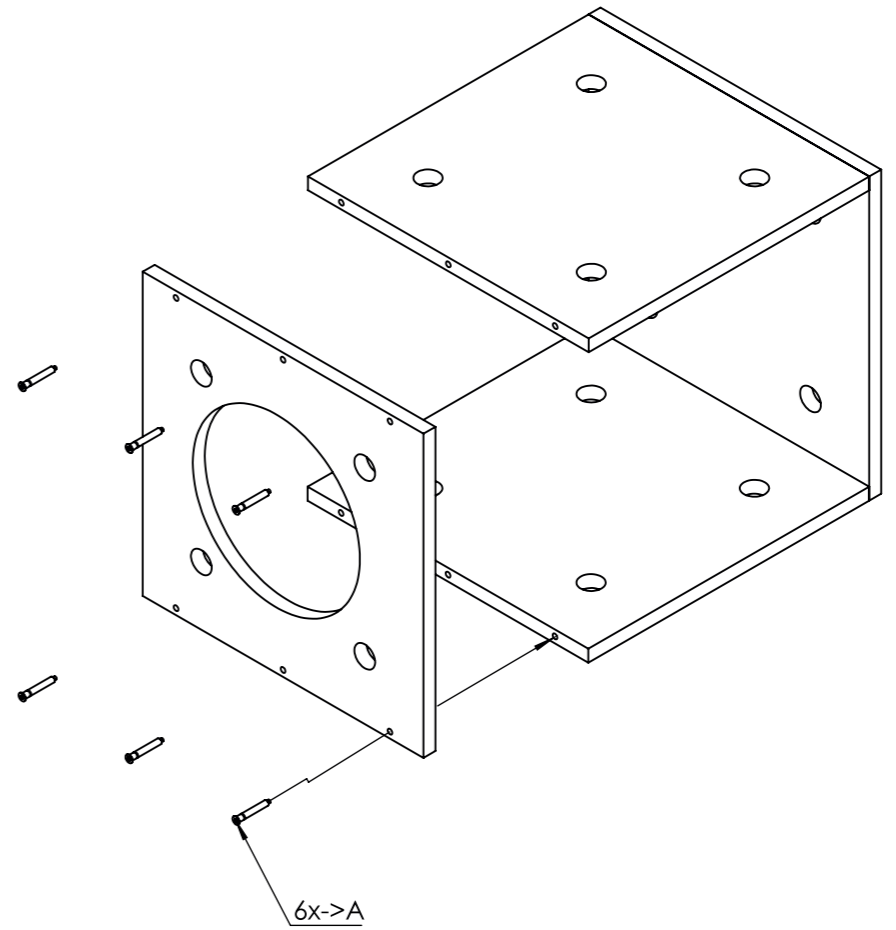


1x

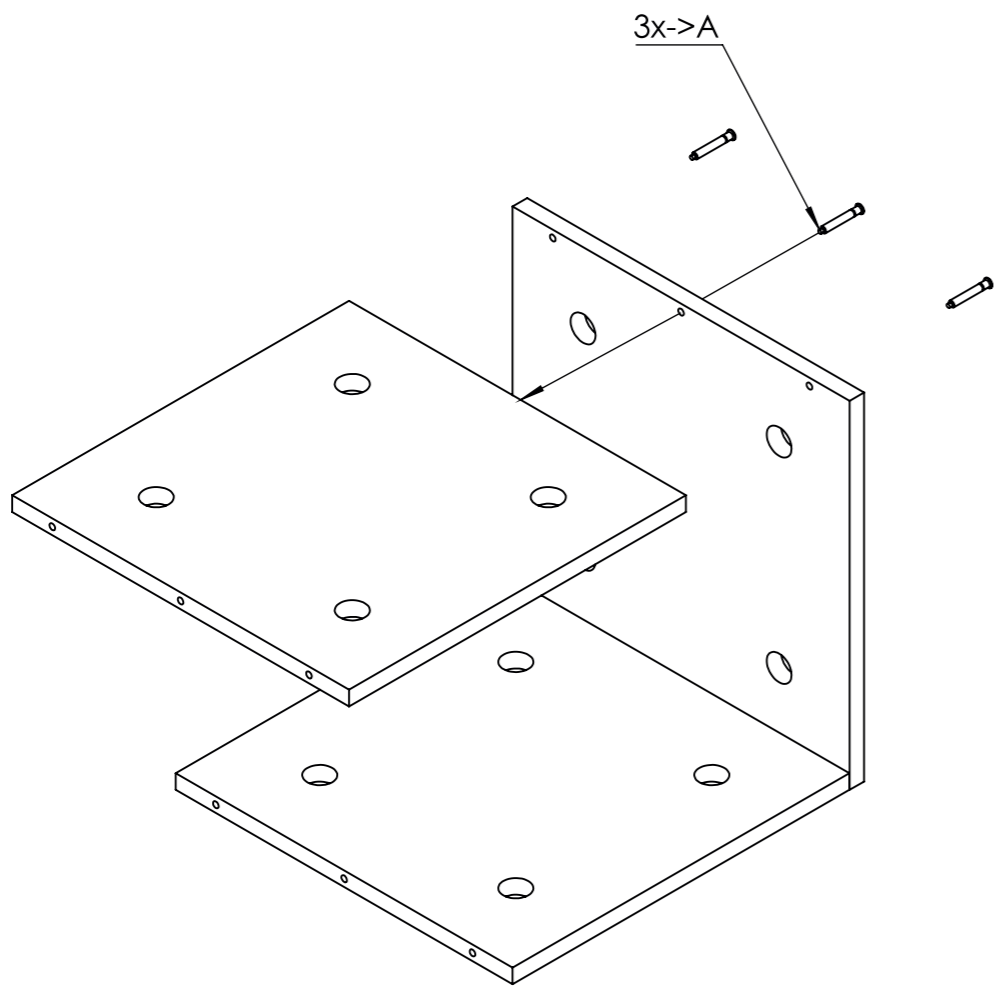
1.



3.



2.



4.

